


4L Series Hand Push Pull Valve

Technical data

Type	4L110-06	4L210-08	4L310-10
Medium	Air		
Position number	2 Position 5 Way		
Port size(G)	1/8"	1/4"	3/8"
CV	12(0.67)	16(0.89)	30(1.67)
Applicable pressure(MPa)	0~8		
Proof pressure(MPa)	12		
Ambient temperature	-5~60°C		

Symbol: 



How to Order

4L

4L Series:
2-Position 5-Way Pull Valve

1

1:100 Series
2:200 Series
3:300 Series

10

Position number
10:Double positions

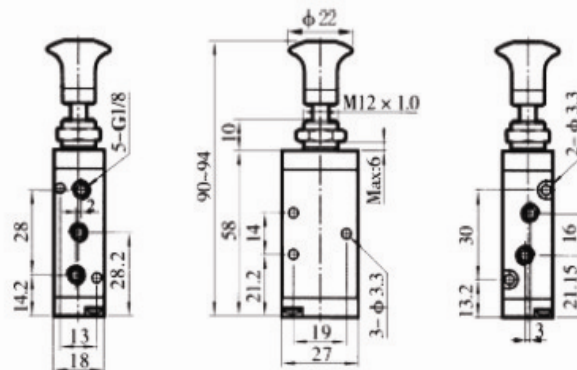
-

06

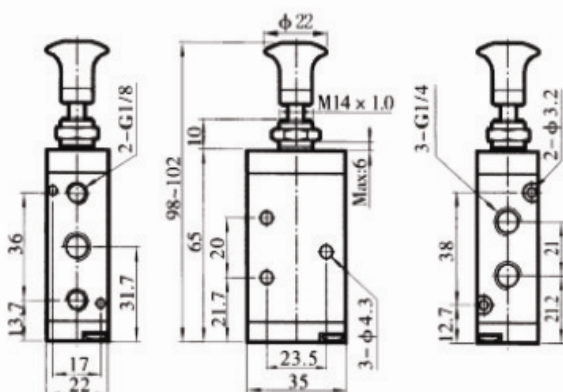
Port Size
06:G1/8"
08:G1/4"
10:G3/8"

Dimensions(mm):

4L110



4L210



4L310

