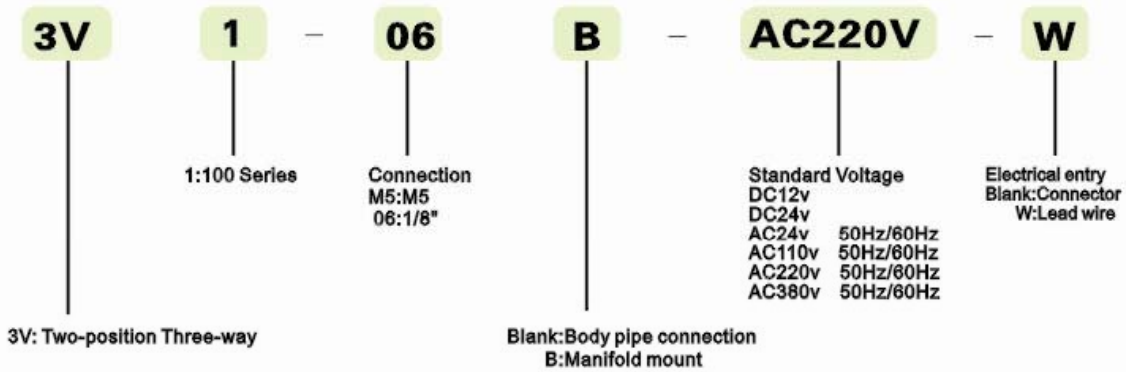


3V1 Series Solenoid Valve



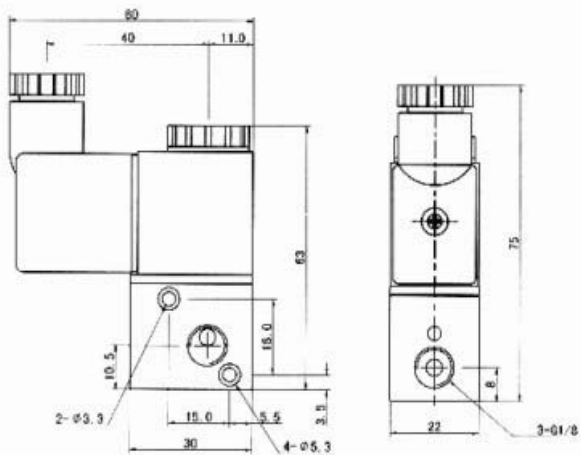
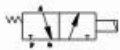
How to Order



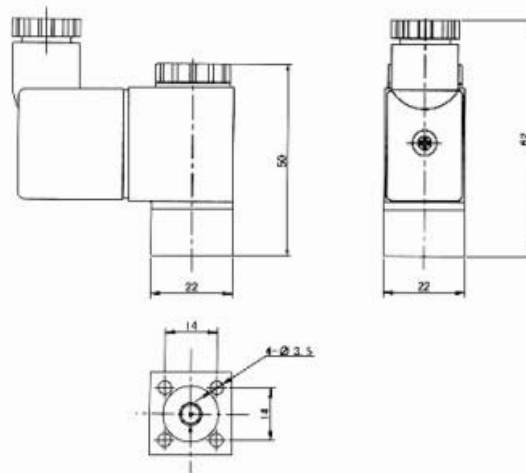
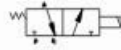
Technical data

Model	3V1-M5	3V1-06
Working medium	Air	
Acting type	Direct acting	
Port connection	M5	1/8"
Ambient temperature	-10~+60℃	
Lubrication	Not necessary	
Working pressure	0~0.8MPa	
Proof pressure	1.2MPa	
Power consumption	AC:4.5VA DC:3.0W	
Protect class	IP65	
Electrical entry	Lead wire or connector type	
Highest acting frequency	20Cycle / Sec	
Insulation	IP64,F Class	
Voltage range	±10%	
Response time	0.05 Second	

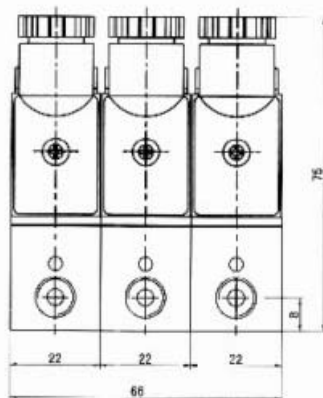
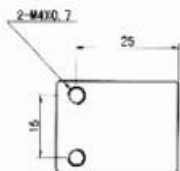
3V1-06



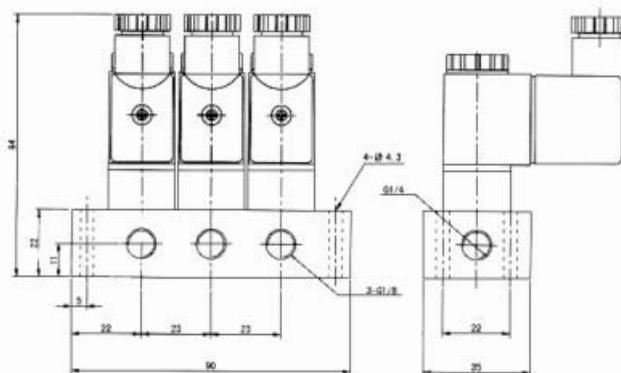
3V1-06B



3V1-06-3F

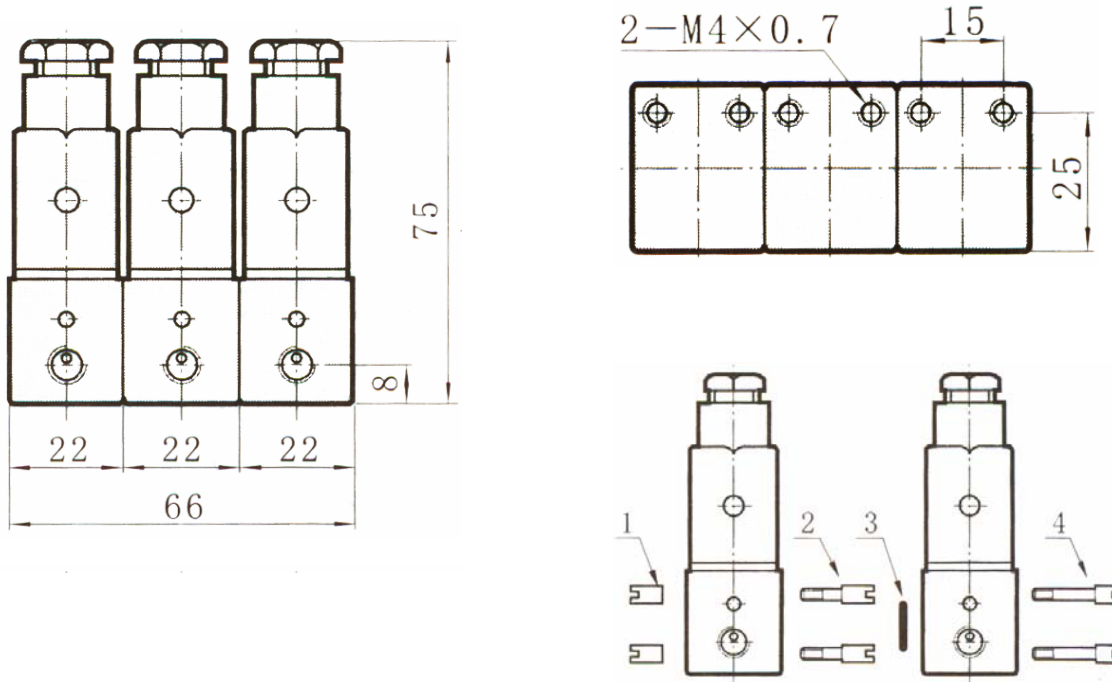


3V1-06B-3F



Combination of Series 3V1 valves with bolts

Combination Dimensions(mm):



Combining kits

Part No.	Discription	Model	Numbers/pcs
1	short bolt	F-3V1002N	2
2	middle length bolt	F-3V1003N	2
3	O ring	GOR2008N75	n-1
4	long length bolt	F-3V1005N	2n-2

n: numbers of valves combined.

How to Order:

3V1COM — N

Model

Numbers of valves combined

