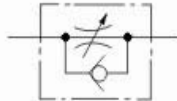


## ASC / RE Series Flow Control Valves



Symbol



### How to Order

**ASC**

-

**08**

ASC: Accurate flow control valve

Pipe connection  
06: G1/8  
08: G1/4  
10: G3/8  
15: G1/2

**RE**

-

**01**

RE: Ordinary flow control valve

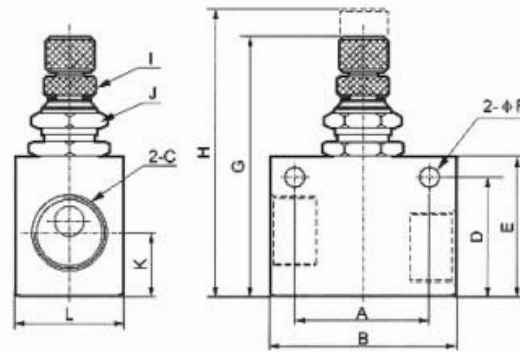
Pipe connection  
01: G1/8  
02: G1/4  
03: G3/8  
04: G1/2

### Technical data

Model	ASC-06	ASC-08	ASC-10	ASC-15	RE-01	RE-02	RE-03	RE-04
Pipe connection	G1/8	G1/4	G3/8	G1/2	G1/8	G1/4	G3/8	G1/2
Working medium	Air							
Working pressure range	0~0.95MPa							
Operating temperature range	0~60℃							

## Dimensions(mm)

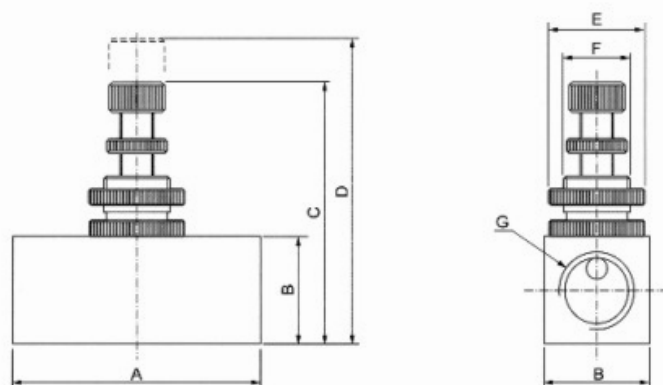
### ASC Series



Model	A	B	C	D	E	F	G	H	I	J	K	L
ASC-06	22	32	G1/8	22	27	4.3	49.7	56.5	M6x0.5	M12x0.75	12	18
ASC-08	26	36	G1/4	22	27	4.3	49.7	56.5	M6x0.5	M12x0.75	12	18
ASC-10	28	40	G3/8	25	30	4.3	52.7	59.5	M6x0.5	M12x0.75	13	22
ASC-15	28	40	G1/2	30	35	4.3	58.7	65.5	M6x0.5	M12x0.75	13.5	26

## Dimensions(mm)

### RE Series



Model	A	B	C	D	E	F	G
RE-01	45	19	43	50	φ 19	M14x1	G1/8
RE-02	45	19	43	50	φ 19	M14x1	G1/4
RE-03	55	25	55	62	φ 25	M18x1	G3/8
RE-04	55	25	55	62	φ 25	M18x1	G1/2