

Air Filter + Regulator + Lubricator



Technical Data

Max. pressure	1.5 MPa
Working pressure	0.95 MPa
Fluid temperature	5~60°C
Filter precision*	40 μm
Recommended oil	Turbine No.1 Oil (ISO VG32)
Bowl material	Polycarbonate
Bowl guard	Available only for BC2000~4000
Pressure regulating range	0.05~0.85MPa
Regulator construction	Relieving type

* 5,50 μm of option



Model	Specifications						Accessories	
	Assembly			Port size (G)	Pressure gauge port size	Weight (kg)	Bracket	Pressure gauge
	Filter	Regulator	Lubricator					
AC1500	AF1500	AR1500	AL1500	1/8	1/8	0.7	20L	G36-10-01
AC2000	AF2000	AR2000	AL2000	1/4	1/8	0.7	20L	G36-10-01
BC2000	BF2000	BR2000	BL2000	1/4	1/4	0.9	40L	G46-10-02
BC3000	BF3000	BR3000	BL3000	3/8	1/4	0.9	40L	G46-10-02
BC4000	BF4000	BR4000	BL4000	1/2	1/4	0.9	40L	G46-10-02

Note: under condition inlet pressure 0.7MPa, outlet pressure 0.5MPa



Air Filter Regulator + Lubricator



Technical Data

Max. pressure	1.5 MPa
Working pressure	0.95 MPa
Fluid temperature	5~60°C
Filter precision*	40 μm
Recommended oil use	Turbine No.1 Oil (ISO VG32)
Bowl material	Polycarbonate
Protective metal	Available only for BFC2000~4000
Pressure regulating range	0.05~0.85MPa
Regulator construction	Relieving type

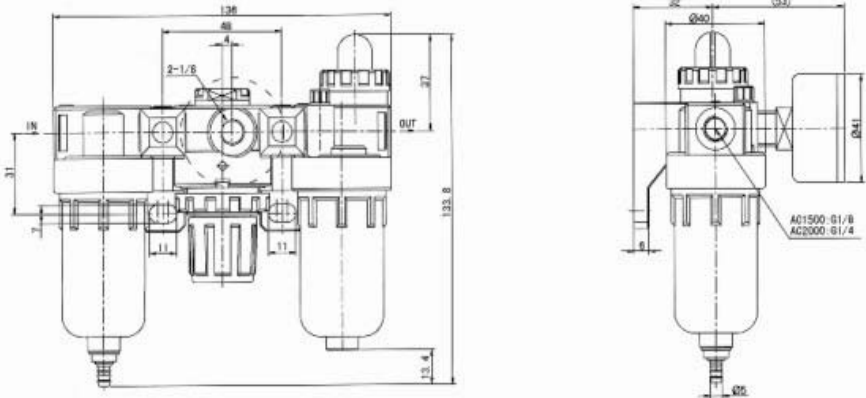
* 5,50 μm of option

Model	Specifications						Accessories
	Assembly		Port size (G)	Pressure gauge port size	Weight (kg)	Bracket	Pressure gauge
	Filter Regulator	Lubricator					
AFC 1500	AFR1500	AL1500	1/8	1/8	0.5	C20L	G36-10-01
AFC 2000	AFR2000	AL2000	1/4	1/8	0.5	C20L	G36-10-01
BFC 2000	BFR2000	BL2000	1/4	1/4	0.7	C40L	G46-10-02
BFC 3000	BFR3000	BL3000	3/8	1/4	0.7	C40L	G46-10-02
BFC 4000	BFR4000	BL4000	1/2	1/4	0.7	C40L	G46-10-02

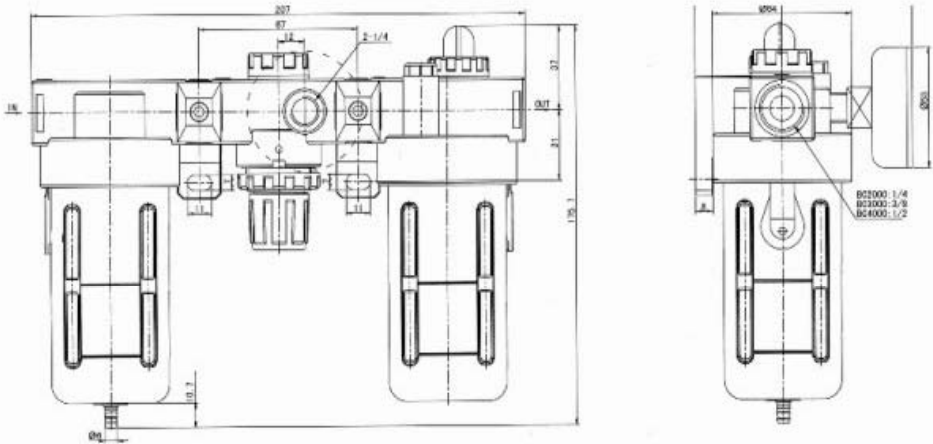
Note: under condition inlet pressure 0.7MPa, outlet pressure 0.5MPa

Dimensions(mm)

AC Series

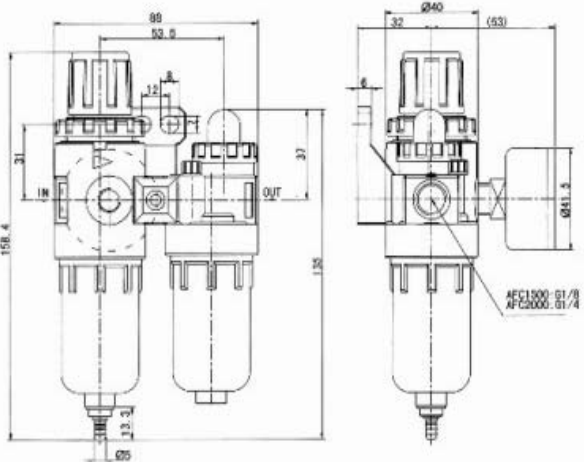


BC Series

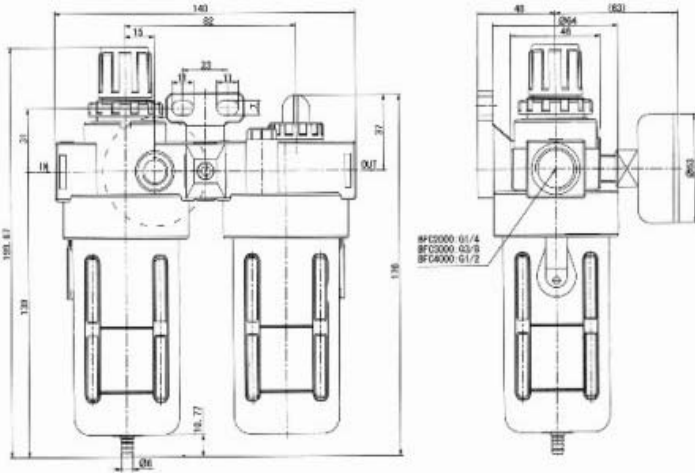


Dimensions(mm)

AFC Series

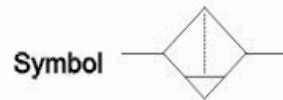


BFC Series



AF, BF Series

Air Filter



Technical Data

Max. Pressure	1.5MPa
Working pressure	0.95MPa
Fluid temperature	5~60°C
Filter precision*	40 μm
Bowl material	Polycarbonate
Bowl gaurd	Available only for BF2000~4000

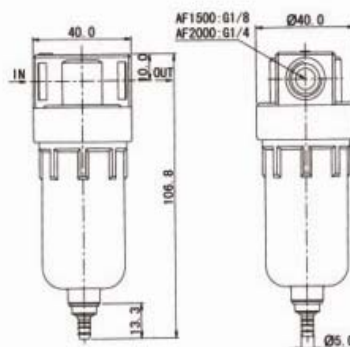
* 5,50 μm of option

Model	Specifications			Accessories	Drain type	Auto Drain Model
	Port size (G)	Bowl capacity (cm ³)	Weight (Kg)	Bracket		
AF1500	1/8	15	0.14	C240	Manual	-
AF2000	1/4	15	0.14	C240		-
BF2000	1/4	60	0.33	C440		BF-2000-D
BF3000	3/8	60	0.33	C440		BF-3000-D
BF4000	1/2	60	0.33	C440		BF-4000-D

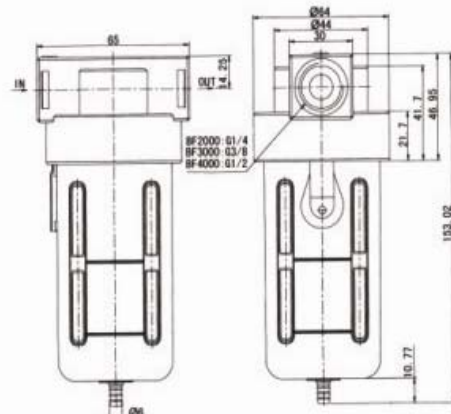
Note: under condition inlet pressure 0.7MPa, outlet pressure 0.5MPa

Dimensions(mm)

AF Series

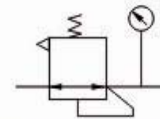


BF Series



AR, BR Series

Air Regulator



Technical Data

Symbol

Max. pressure	1.5MPa
Working pressure	0.95MPa
Pressure regulating range	0.05~0.85MPa
Fluid temperature	5~60℃
Regulator construction	Relieving type

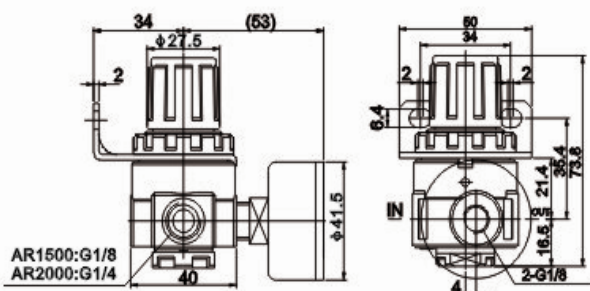
Model	Specifications			Accessories	
	Port size (G)	Pressure gauge port size (G)	Weight (Kg)	Bracket	Pressure gauge
AR1500	1/8	1/8	0.2	C220	G36-10-01
AR2000	1/4	1/8	0.2	C220	G36-10-01
BR2000	1/4	1/4	0.23	C220	G46-10-02
BR3000	3/8	1/4	0.23	C220	G46-10-02
BR3000	1/2	1/4	0.23	C220	G46-10-02



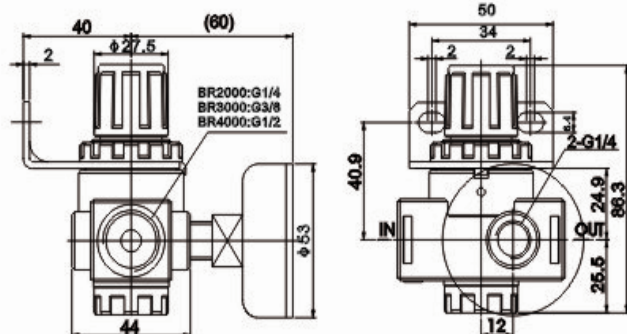
Note: under condition inlet pressure 0.7MPa, outlet pressure 0.5MPa

Dimensions(mm)

AR Series



BR Series



AFR, BFR Series

Air Filter + Regulator



Technical Data

Max. Pressure	1.5MPa
Working pressure	0.95MPa
Fluid temperature	5~60°C
Filter precision*	40 μm
Bowl material	Polycarbonate
Metal guard	Available only for BFR2000~4000

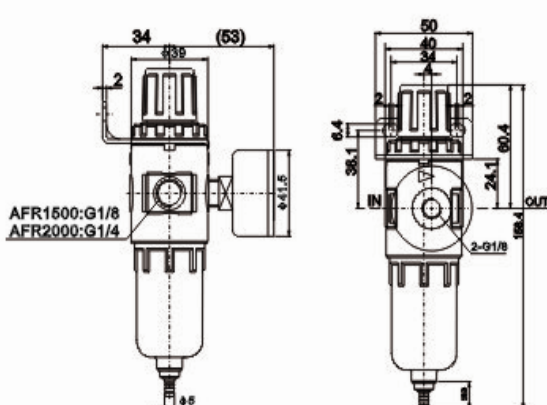
* 5,50 μm of option

Model	Specifications			Accessories	Drain type	Auto Drain Model
	Port size (G)	Bowl capacity (cm ³)	Weight (Kg)	Bracket		
AFR1500	1/8	15	0.26	C220	Manual	-
AFR2000	1/4	15	0.26	C220		-
BFR2000	1/4	60	0.40	C220		BFR2000-D
BFR3000	3/8	60	0.40	C220		BFR3000-D
BFR4000	1/2	60	0.40	C220		BFR4000-D

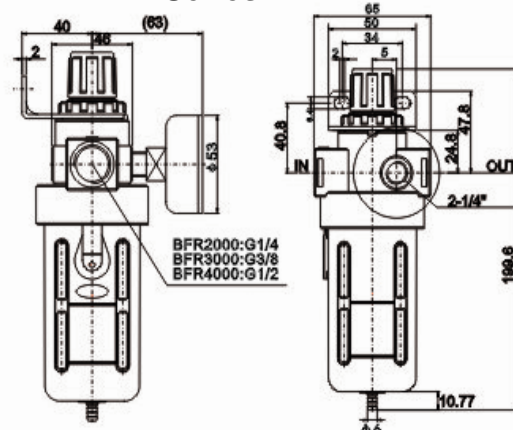
Note: under condition inlet pressure 0.7MPa, outlet pressure 0.5MPa

Dimensions (mm)

AFR Series



BFR Series

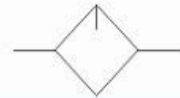


AL, BL Series

Lubricator



Symbol



Technical Data

Max. Pressure	1.5MPa
Working pressure	1.0MPa
Fluid temperature	5~60℃
Recommended Oil	Turbine No.1 Oil (ISO VG32)
Bowl material	Polycarbonate
Metal guard	Available only for BFR2000~4000

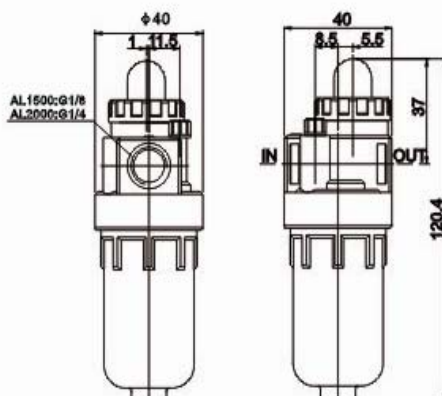
Model	Specifications			Accessories
	Port size(G)	Bowl capacity	Weight(Kg)	Bracket
AL1500	1/8	25	0.17	C240
AL2000	1/4	25	0.17	C240
BL2000	1/4	90	0.25	C440
BL3000	3/8	90	0.25	C440
BL4000	1/2	90	0.25	C440



Note: under condition inlet pressure 0.7MPa, outlet pressure 0.5MPa

Dimensions(mm)

AL Series



BL Series

