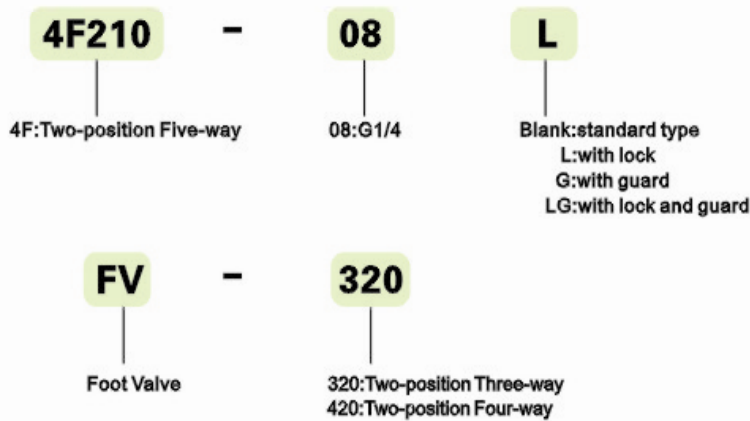


## Foot Valves



### How to Order



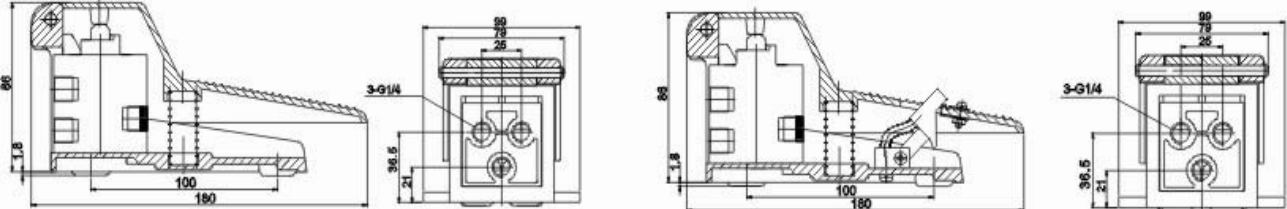
### Technical data

Model	4F210-08	4F210-08L	4F210-08G	4F210-08LG	FV420	FV320
Working medium	Filtered Air					
Position number	Two-position Five-way			Two-position Four-way	Two-position Three-way	
Port connection	Air Inlet=Air Outlet=Exhaust=G1/4			Air Inlet=Air Outlet=G1/4,Exhaust=G1/8		
Working-pressure range	0~0.8MPa					
Operating temperature range	0~60°C					

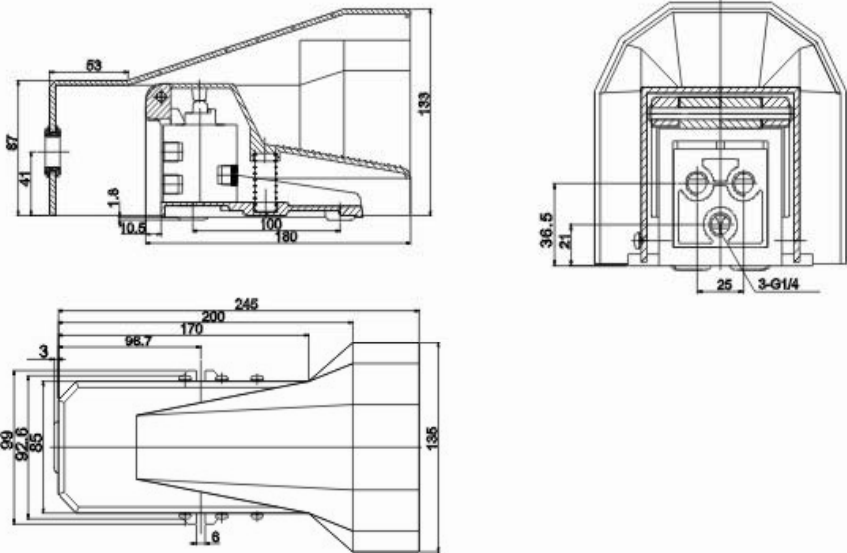
## Dimensions(mm)

4F210-08

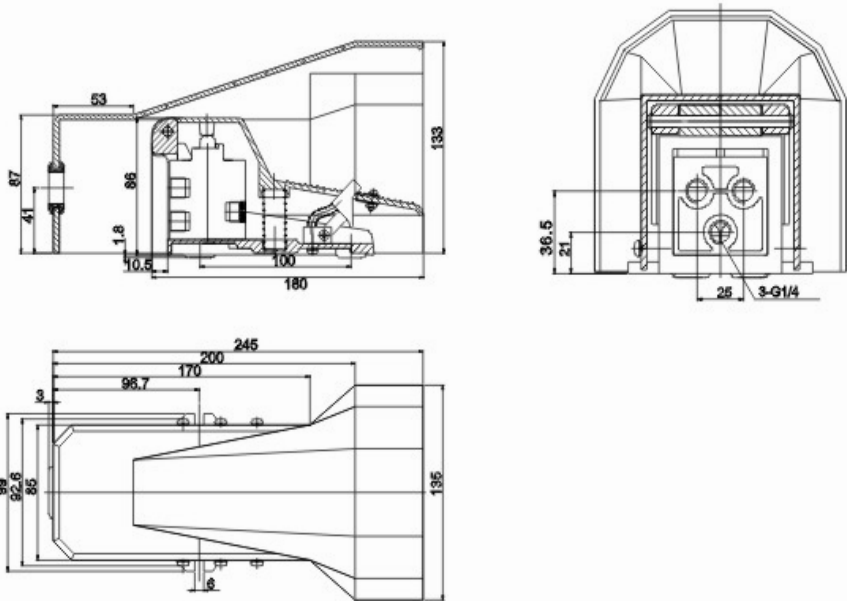
4F210-08L



4F210-08G



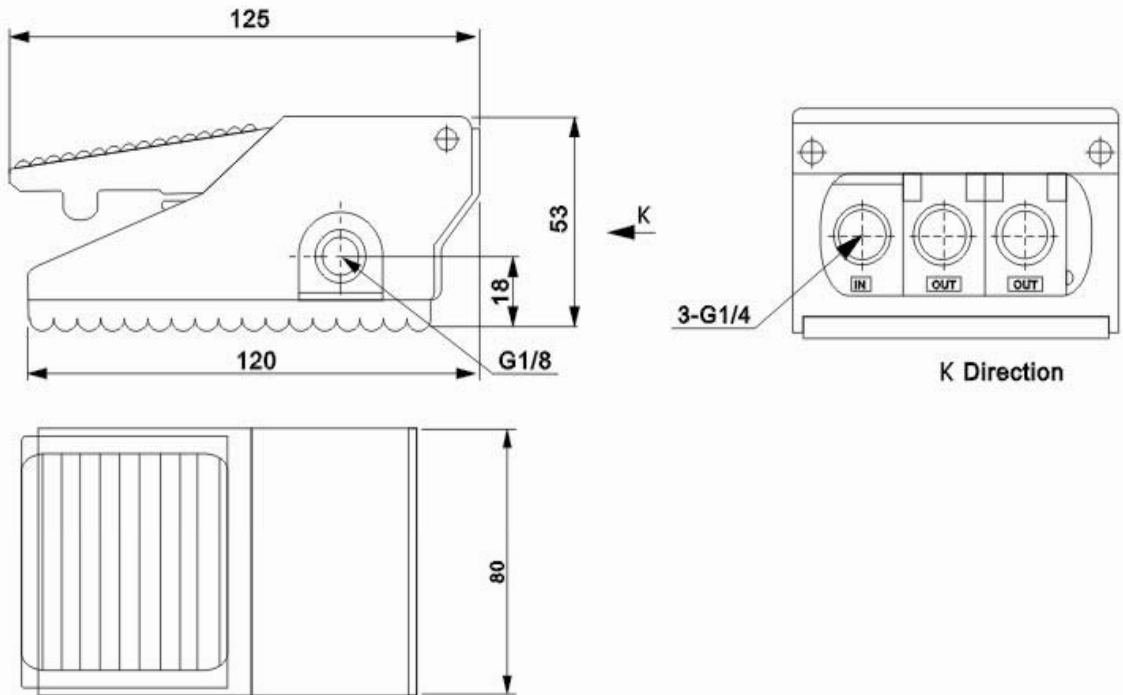
4F210-08LG



## Foot Valve

### Dimensions(mm)

#### FV420



#### FV320

