

VF, VZ Series Solenoid Valve



How to Order

VF3

Series No.
VF3 Series
VF5 Series
VZ5 Series

1

1:Single-coil Double-position
2:Double-coil Double-position
3:Double-coil Three-position Close Center
4:Double-coil Three-position Exhaust Center
5:Double-coil Three-position Pressure Center

30

VF3:30
VF5:20
VZ5:20

-

AC220V

DC12v
DC24v
AC24v 50Hz/60Hz
AC110v 50Hz/60Hz
AC220v 50Hz/60Hz
AC380v 50Hz/60Hz

-

W

Electrical entry
Blank:Connector
W:Lead Wire



Technical data

Model	VF3130	VF3230	VF33 (4/5)30	VF5120	VF5220	VF53 (4/5)20	VZ5120	VZ5220	VZ53 (4/5)20
Position number	Two-position Five-way		Three-position Five-way	Two-position Five-way		Three-position Five-way	Two-position Five-way		Three-position Five-way
Effective section area	16mm ² (CV=0.89)		12mm ² (CV=0.67)	25mm ² (CV=1.40)		18mm ² (CV=1.00)	12mm ² (CV=0.67)		9mm ² (CV=0.50)
Working medium	Air								
Acting type	Internally pilot-actuated								
Working-pressure	0.15~0.8MPa								
Proof pressure	1.2MPa								
Operating temperature	5~50℃								
Voltage range	±10%								
Power consumption	AC: 4.5VA DC: 3W								
Insulation & protection class	F Class.IP65								
Electrical entry	Lead wire or connector type								
Highest acting frequency	20 Cycle / Sec								
Response time	0.05 Second								

Manifold

VF3000M

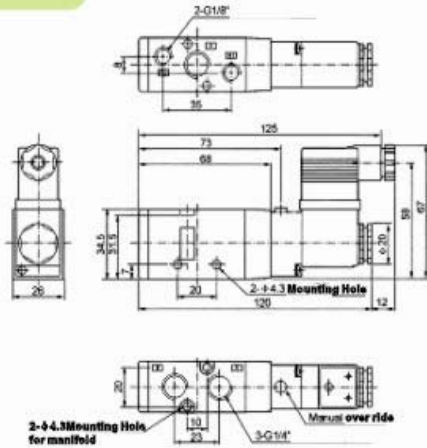
Series No.
VF3000M:For VF3 Series
VF5000M:For VF5 Series
VZ5000M:For VZ5 Series

F

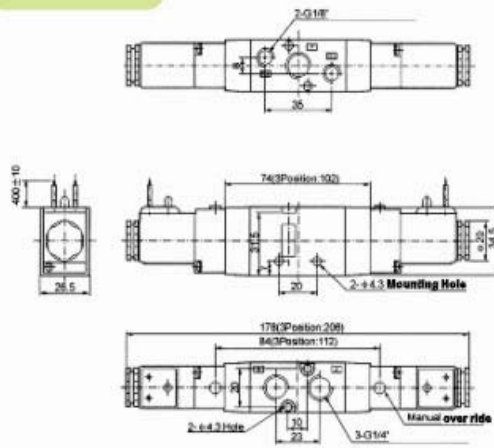
Number of stations
1~16

Dimensions(mm)

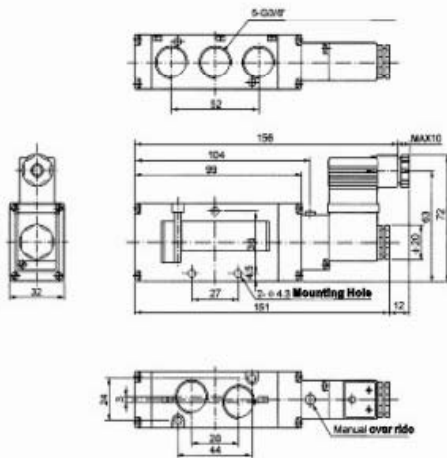
VF3130



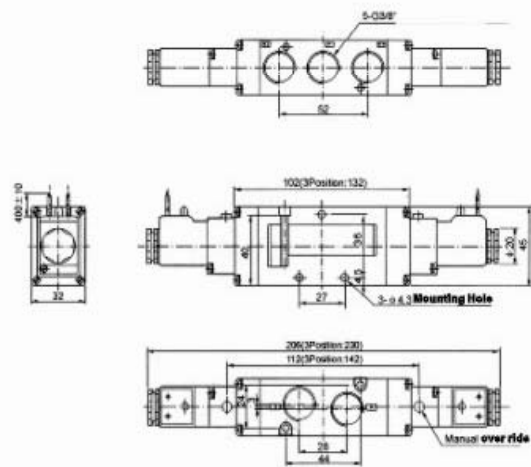
VF3230



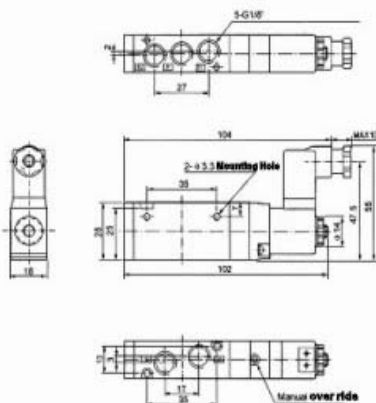
VF5120



VF5220



VZ5120



VZ5220

