

TIM Series Solenoid Valve Analog and Digital Timers

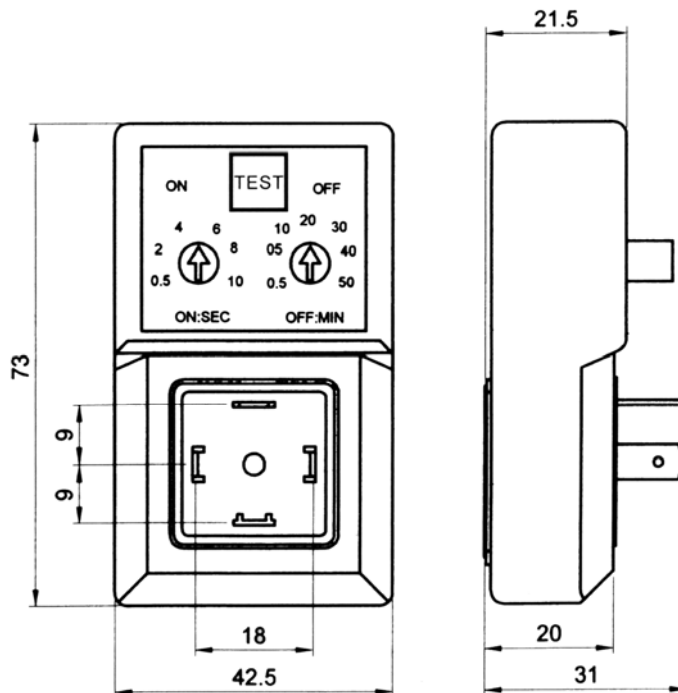
**TIM-720 Analog Timer**

**Specifications:**

Interval (OFF) time	0.5 to 45 minutes
Discharge (ON) time	0.5 or 10 seconds
Manual TEST switch	Yes, micro switch
Supply voltage	24 to 240 VAC/DC 50/60Hz
Current consumption	4 mA maximum
Operating temperature	-10 °C to +50 °C
Environmental protection	IP65 when installed
Housing material	ABS plastic
Connection	DIN 43650A
Indicator	LED to indicate power ON or OFF



**Dimensions(mm):**



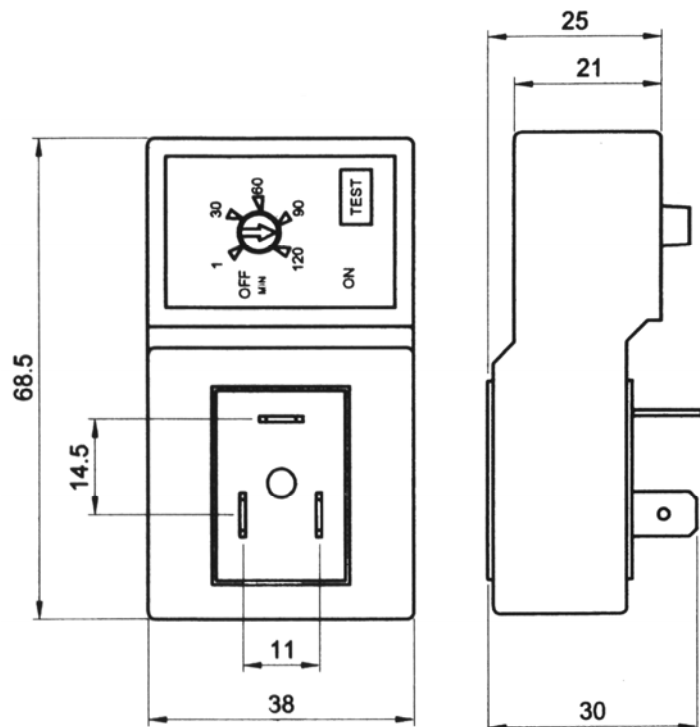
## TIM-11 Analog Timer

### Specifications:

Interval (OFF) time	0.5 to 120 minutes
Discharge (ON) time	2 seconds
Manual TEST switch	Yes, micro switch
Supply voltage	24 to 240 VAC/DC 50/60Hz
Current consumption	4 mA maximum
Operating temperature	-10 °C to +50 °C
Environmental protection	IP65 when installed
Housing material	ABS plastic
Connection	DIN 43650B
Indicator	LED to indicate power ON or OFF



### Dimensions(mm):



**TIM-2000 Digital Timer**

**Specifications:**

Interval (OFF) time	0.5 to 9.5 minutes step 0.5min 10 to 99 minutes step 1min
Discharge (ON) time	0.5 to 9.5 seconds step 0.5 s 10 to 99 seconds step 1s
Manual TEST switch	Yes, micro switch
Supply voltage	24 to 240 VAC/DC 50/60Hz
Current consumption	4 mA maximum
Operating temperature	-10 °C to +50 °C
Environmental protection	IP65 when installed
Housing material	ABS plastic
Connection	DIN 43650A
Indicator	LED to indicate power ON or OFF



**Dimensions(mm):**

